



Cranky Portable Winch Instructions

Read All Instructions & Warnings Before Use

Patent Pending
Made In USA

CRANKY WINCH OPERATION AND SAFETY INSTRUCTIONS

IMPORTANT: READ ALL SAFETY INSTRUCTIONS AND WARNINGS PRIOR TO USING WINCH

WARNING:

- ♦ Always inspect winch and cable for damage that could affect operation and safety.
- ♦ Always follow all OSHA safety procedures when lifting objects.
- ♦ This device is not for human lifting.
- ♦ 300 lb. maximum load.
- ♦ Always keep lifting area clear.
- ♦ Never allow anyone to stand under load.

OPTIONAL RECOMMENDED ITEMS:

- ♦ CRANKY PERMANENT MOUNT POST (TYPE 1, 2 OR 3)
- ♦ MOUNTING KIT ACCESSORIES (Kit includes masonry drill bits - 5/16" x 12" long and 9/16" x 16" long)
- ♦ CRANKY PORT-A-POST
- ♦ ROOF PAD(S) 36" x 48"

ASSEMBLY:

Thread the handle onto the winch drive shaft and be certain that a clicking noise is produced when the handle is turned clockwise. Install the spring and locknut on the end of the shaft. These parts may appear to serve no function, but they should not be altered or removed. Their function is very important for reliable and safe operation.

OPERATION INSTRUCTIONS:

Wind cable on the winch reel by turning winch handle in a clockwise direction. This should produce a loud, sharp, clicking noise. The load will remain in position when the handle is released. Wind cable off the winch reel by turning winch handle counterclockwise (no noise will be produced). The load will remain in position when the handle is released, but for extra security it is recommended that the handle be turned clockwise until at least two clicks are heard. This will add extra tightness to the brake mechanism. Always satisfy yourself that the winch is holding the load before releasing the winch handle.

LIFTING INSTRUCTIONS WHEN USED WITH LADDERPORT PERMANENTLY MOUNTED POST

Place winch on a LadderPort Cranky Post. If post is attached to the side of the building, remove the hitch pin in the boom assembly and extend the boom. Pull the turning handle out fully. Be sure to reinstall the hitch pin in the boom assembly.

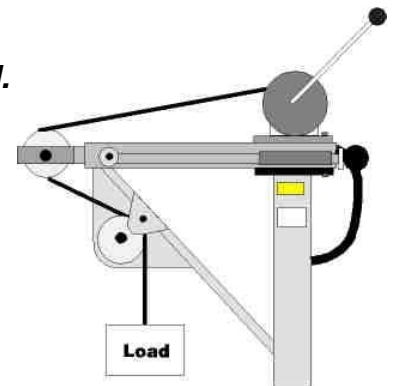
LIFTING INSTRUCTIONS WHEN USED WITH LADDERPORT PORT-A-POST

Do not extend the boom. Remove the lower hitch pin and thread the cable around the lower pulley as shown in diagram. Reinstall the hitch pin before using. The pin is designed to keep the cable from coming off the pulley.

Never use winch unless hitch pins are installed and securely snapped.

GENERAL LIFTING INSTRUCTIONS FOR PERMANENTLY MOUNTED POST & PORT-A-POST

Attach the lifting chain to the winch cable to add weight (this will make unwinding the cable easier). Attach item to be lifted securely to the winch cable with the lifting chain. Maximum load is 300 lbs. Before lifting object be sure that the area below the winch is clear. Lift objects with a smooth cranking rotation. Once above roof line use the turning handle to swing the load over the roof. **Never lean over side of building to pull the load onto the roof.**



LadderTech L.L.C.

7081 Dan McGuire Drive • Brighton, Michigan 48116
Toll Free: (800) 770-8851 • Local: (248) 437-7100 Fax: (248) 486-2600
Email: sales@ladderport.com • Web Site: www.ladderport.com



IMPORTANT!

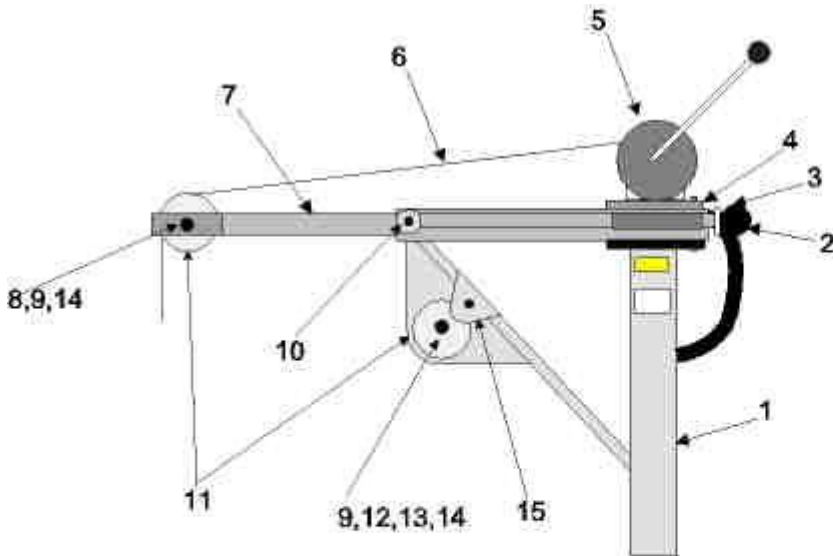
Sufficient load must be applied to the cable to overcome internal resistance and operate the brake properly, otherwise turning the handle counterclockwise will only remove the handle from the shaft – the reel will not turn. The minimum-operating load is 50 lb. Maximum load is 300 lbs. When rewinding the cable, some tension is required to allow cable to rewind properly.

WINCH MAINTENANCE:

Prior to every use, visually inspect for any necessary maintenance repairs, including, but not limited to worn cable, loose connections, worn or rusty parts and make repairs and/or adjustments prior to use. Thoroughly inspect & complete necessary maintenance repairs at least once annually and more frequently when the unit is exposed to an environment that is particularly dirty or wet. For continued smooth performance and increased life, occasionally grease gears, reel shaft and handle threads. An occasional drop of oil on the drive shaft bearings is also recommended. If winch will be used in freezing, icy conditions, apply silicone spray to ratchet and spacer items. **Note: Do not grease brake mechanism or it will not function properly. Do not store outdoors. Before each use always check integrity of mounting apparatus. Always replaces any defective parts before each use. NOT FOR HUMAN LIFTING.**

LadderPort Cranky* Winch

Parts List Detail



- 1. Main Frame
- 2. Turning Handle Knob
- 3. Turning Handle Nut
- 4. Turning Handle
- 5. Winch
- 6. Stainless Steel Cable
- 7. Boom
- 8. Sheeve Bolt
- 9. Sheeve Nut
- 10. Hitch Pin Large
- 11. Sheeves
- 12. Sheeve Bolt Lower
- 13. Sheeve PVC Washer
- 14. Sheeve Washer
- 15. Hitch Pin Small

Items Not Shown:

Parts Bag

Containing:

- Winch Drive Shaft Nut and Spring**
- Cable Hold Down with Bolt and Nut**

Questions or Additional Orders:

Call 800-770-8851

Monday – Friday / 8:00 AM to 5:00 PM EST or e-mail us at sales@ladderport.com.

LadderPort™ Cranky should not be used for anything other than its intended purposes.

LadderTech L.L.C.

7081 Dan McGuire Drive • Brighton, Michigan 48116

Toll Free: (800) 770-8851 • Local: (248) 437-7100 Fax: (248) 486-2600

Email: sales@ladderport.com • Web Site: www.ladderport.com



WARRANTY AND RETURN POLICY

WARRANTY

LadderTech, LLC (hereinafter referred to as LadderTech) guarantees our products are free of defects in workmanship and material. Such warranty is in effect for one year from date of purchase. Warranty excludes minor defects in material coatings (i.e. galvanizing, powder coating and other like coatings).

In the unlikely event, a defective product is shipped LadderTech must be notified in writing immediately upon receipt of receiving the defective product. If notification of receipt of defective product is not received within 30 days of receipt of product, LadderTech reserves the right to void the warranty. If, in the sole opinion of LadderTech the product is determined to be defective, LadderTech's obligation is limited to replacement of the defective product with a like product of equal or greater value.

LadderTech products must not have been subject to accident; misuse, abuse or use contrary to the instructions provided in the instruction manuals or contrary to the reasonable intended use of the products. This warranty covers only defects arising from the workmanship, construction and material involved in the manufacturing of the product. This warranty does not cover defects arising from deterioration due to normal wear and tear, the use of the product in a manner other than as instructed in the installation manual or modification of product, design, improper installation, neglect, lack of routine maintenance or unauthorized repairs. LadderTech assumes no responsibility or has no control over nicks, cuts, scratches or any other normal wear and tear during any consumer's usage. Incidental, indirect, special, or consequential damages are excluded in this warranty. Any determination by LadderTech with respect to such matters shall be final.

LadderTech makes no other warranty, expressed or implied, to the merchantability, fitness for a particular purpose, design, sale, installation, or use, of our products; and shall not be liable for incidental or consequential damages, losses of or expenses, resulting from the use of our products. Many states and localities have codes and regulations governing sales, construction, installation, and/or use of products for certain purposes, which may vary from those in neighboring areas. While LadderTech attempts to assure that its products comply with such codes, it cannot guarantee compliance, and cannot be responsible for how the product is installed or used. Before purchase and use of a product, please review the product application, and national and local codes and regulations, to be sure that the product, installation, and use will comply with them.

LadderTech accepts no responsibility for actions caused by improper use of our products or for use other than its intended purpose. It is user's responsibility to inspect product for usability, stability, and complete routine inspections and maintenance on an ongoing basis. Although every effort has been made to use the longest lasting fittings and installation materials, as with all metal products, over time, screws, bolts, etc. corrode, loosen and rust and must be routinely inspected and maintained, which includes but is not limited to tightening, repair or replacement as necessary.

EXCEPT TO THE EXTENT PROHIBITED BY APPLICABLE LAW, NO OTHER WARRANTIES OR CONDITIONS, WHETHER EXPRESS OR IMPLIED, WRITTEN OR ORAL, INCLUDING WARRANTIES OF MERCHANTABILITY AND FITNESS FOR A PARTICULAR PURPOSE, SHALL APPLY TO LadderTech PRODUCTS; UNDER NO CIRCUMSTANCES SHALL LadderTech, LLC BE LIABLE FOR SPECIAL, INDIRECT, INCIDENTAL OR CONSEQUENTIAL DAMAGES SUSTAINED IN CONNECTION WITH OUR PRODUCTS AND LadderTech, LLC NEITHER ASSUMES NOR AUTHORIZES ANY REPRESENTATIVE OR OTHER PERSON TO ASSUME FOR IT ANY OBLIGATION OR LIABILITY OTHER THAN SUCH AS IS EXPRESSLY SET FORTH HEREIN. THIS WARRANTY GIVES A PURCHASER OF LadderTech, LLC PRODUCTS SPECIFIC LEGAL RIGHTS, WHICH MAY VARY FROM PROVINCE TO PROVINCE, AND STATE TO STATE.

RETURNS

Upon inspection, returns that are deemed resalable are subject to a 25% restocking fee. No returns accepted on used, special order or custom built items. Returns must be made within 30 days of INVOICE date to be eligible for any refund. No credit will be given for returns that are determined not to be resalable. Any determination by LadderTech, LLC with respect to such matters shall be final. Buyer is responsible for *all* freight charges.

LadderTech L.L.C.

7081 Dan McGuire Drive • Brighton, Michigan 48116
Toll Free: (800) 770-8851 • Local: (248) 437-7100 Fax: (248) 486-2600
Email: sales@ladderport.com • Web Site: www.ladderport.com